

Ringo Specifications

Weight:

29 kg

Frame:

Rayvolt Aluminum 6061

Fork:

45mm Double Crown

Battery Cover:

Composite Shell Covered by Leather

Grips:

Rayvolt Custom Leather Grips

Saddle:

Rayvolt Two-Seater Custom Leather

Brakes:

Rayvolt Oil Disk Brakes with E-Regenerative 10A-50A

Crankset:

Rayvolt Two Pieces Crankset

Pedals:

Flat Rayvolt Pedals

Chain:

KMC Silver Chain

Rims:

Double wall 20" x 80 mm

Tires:

20" x 4 1/4"

Speed Control:

- PAS (Pedal Assist System)
- Shimano 7 speed
- Thumb Throttle*
- Torque Sensor (optional)

E-Drive System:

Rayvolt EIVA® Drive

Motor

250W Smart Hub 50 Nm

Battery

Life of 1000 cycles

· Ringo Smart

Removable 36V 10.5Ah
Range of 40km
Charge time of 2,5 hours

· Ringo Smart +

Removable 36V 13Ah
Range of 50km
Charge time of 3 hours

· Ringo Smart ++

Removable 36V 16.5Ah
Range of 60km
Charge time of 4 hours

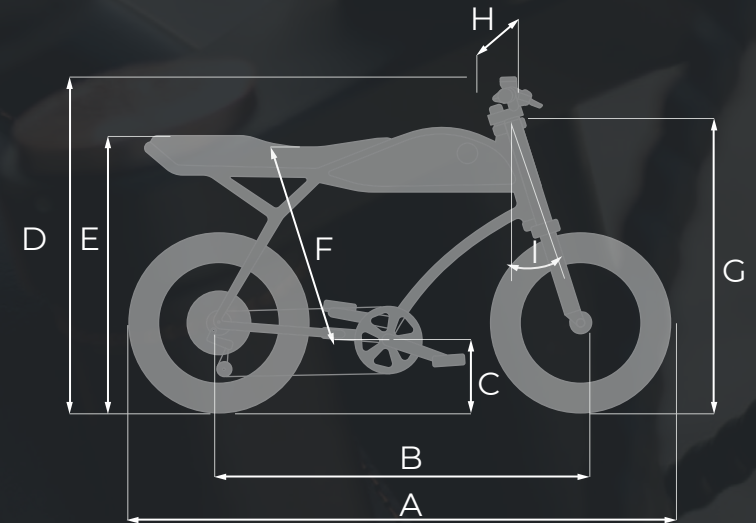
· Ringo Power

Removable 48V 14Ah
Range of 60km
Charge time of 3,5 hours

*Depending on your country legislation

Dimensions:

1687 x 980 x 700 mm



A	1687 mm
B	1100 mm
C	283 mm
D	980 mm
E	848 mm
F	648 mm
G	950 mm
H	700 mm
I	21°